



Skyjack SJ12/16

Vertical Mast Lifts

STANDARD FEATURES

- Drivable at full height with platform retracted
- Variable speed, front two wheel hydraulic drive
- 90° steering (zero inside turning radius)
- Dual holding brakes
- Proportional controls for drive and lift functions
- 0.41 m Traversing platform
- 24V DC power source
- Low voltage battery protection
- 30% gradeability
- Solid rubber, non-marking tyres
- Pothole protection system
- Wiring for AC outlet at platform
- Tilt alarm with drive & lift cut-out
- Lanyard attachment points
- Operator horn
- Lift rings/tie downs
- Full height spring hinged gate
- Relay based control system
- Colour coded and numbered wiring system

IPAF Category 3a

Do you hold a valid operator's licence?

The PAL Card (Powered Access Licence) is recognised worldwide as proof of platform operator training to the highest standard.

It is issued by the International Powered Access Federation (IPAF) to platform operators who successfully complete a training course at an IPAF approved training centre.

Quick checklist for employers and operators using powered access machines:

- ✓ I have an IPAF PAL card.
- ✓ Date is still valid (Licence expires after 5 years).
- ✓ All categories for the machine's being used are listed on the PAL card (e.g. 3a, 3b, PAV).

If you can answer yes to all three, you're good to go!

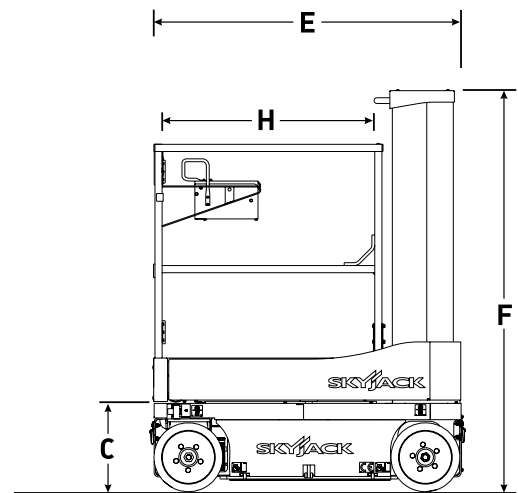
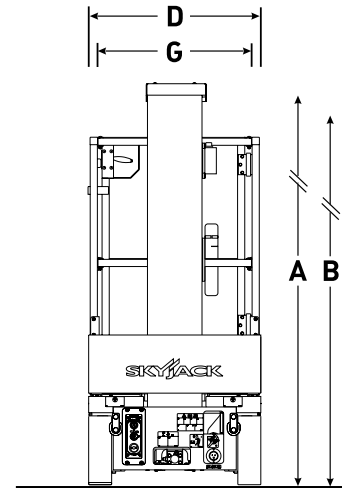
If not, please call us to discuss your requirements and arrange a training course.



SJ12/16 Vertical Mast Lifts

Dimensions	SJ12	SJ16
A Work Height	5.65 m	6.75 m
B Raised Platform Height	3.65 m	4.75 m
C Lowered Platform Height	0.45 m	0.45 m
D Overall Width	0.77 m	0.77 m
E Overall Length	1.37 m	1.37 m
F Stowed Height	1.79 m	1.79 m
G Platform Width (Inside Dimension)	0.69 m	0.69 m
H Platform Length (Inside Dimension)	0.85 m	0.85 m

Specifications	SJ12	SJ16
Ground Clearance (Stowed)	5.33 cm	5.33 cm
Ground Clearance (Raised)	1.60 cm	1.60 cm
Weight	864 kg	971 kg
Local Floor Load (with rated load)	745 kPa	827 kPa
Local Floor Load (no load)	593 kPa	676 kPa
Overall Floor Load (with rated load)	10.2 kPa	11.2 kPa
Gradeability	30%	30%
Turning Radius (Inside)	0	0
Turning Radius (Outside)	1.40 m	1.40 m
Lift Time (With Rated Load)	16 sec	20 sec
Lower time (With Rated Load)	14 sec	18 sec
Drive Speed (Stowed)	4.0 km/h	4.0 km/h
Drive Speed (Raised)	0.80 km/h	0.80 km/h
Maximum Drive Height	Full Height	Full Height
Capacity (Overall)	227 kg	227 kg
Maximum # of Persons (indoor/outdoor)	2/1	1/0
Tyre Type	Solid, N/M	Solid, N/M
Tyre Size	12 x 4 x 8	12 x 4 x 8



Hire • Sales • Training

 **0844 682 0000**

www.starplatforms.co.uk

info@starplatforms.co.uk

UK Coverage

We offer a true UK wide hire service via a network of strong, regional access companies who share Star Platforms' values, offering high service levels and quality equipment.

 **ACCESS ALLIANCE**

